

HA DH 900 - 1600 L

Ceiling mount

Item no.: 2705

The HA DH 900 - 1600 L is a ceiling mount for a single screen from 55" to 75" | 140 - 191 cm screen diagonal.

The installation can electively be done in landscape or portrait format.

A TV holding fixture is already included and supports screens from min. VESA 100 x 100 mm up to max. VESA 800 x 600 mm.

The tilt angle of the TV holding fixture can be adjusted between -5° and +30° without tools, using the rotary handles on the side.

Thanks to the oblong holes on the side in the lower pipe segment, the TV holding fixture can be swiveled by ±15° with tools. This means that even slight differences in the case of, for example, a faulty drilling can be compensated.

The ceiling distance can be varied in 100 mm steps between min. 938 and max. 1638 mm. This information refers to the centre of the screen.

The cables are routed internally, hidden from view and unauthorized access.

The surfaces of the HA DH 900 - 1600 L are finished with an impact- and scratch-resistant powder coating in black.

The max. load is 50 kg.



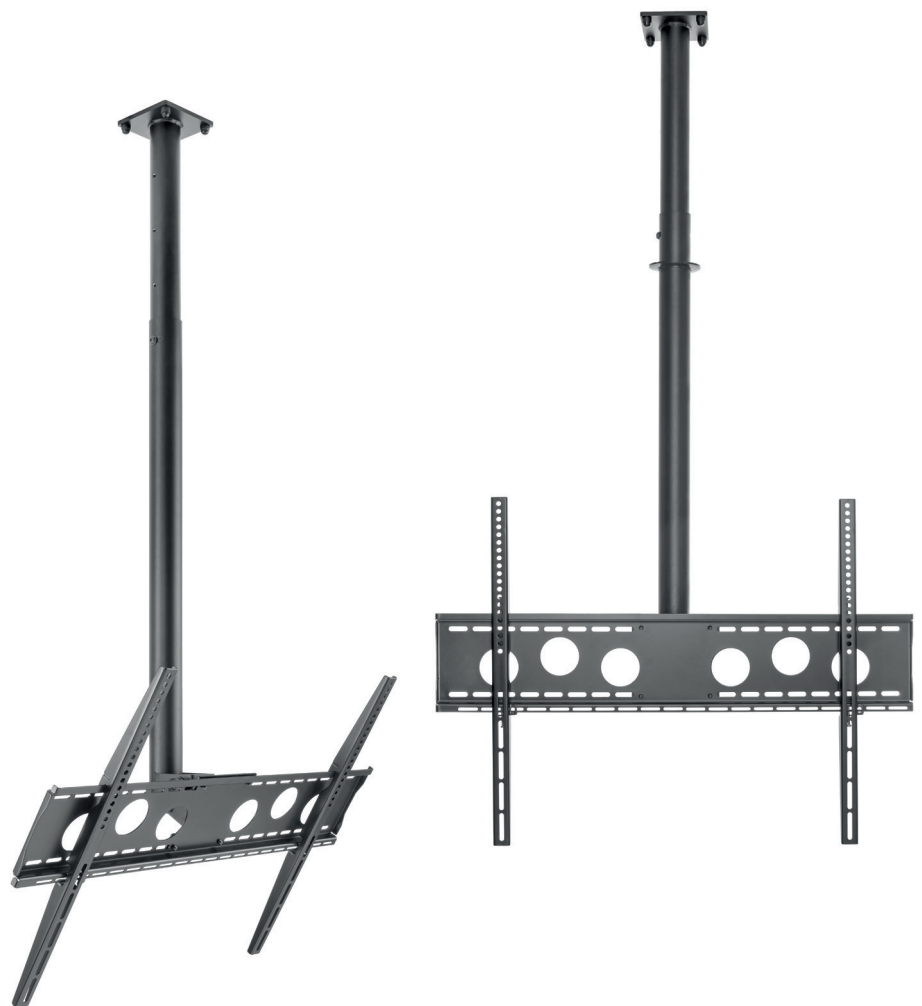
-5 to +30° tiltable (no tools needed)



optionally lockable



removable spirit level included



HA DH 900 - 1600 L

Ceiling mount

Item no.: 2705

- ceiling mount for a single screen
- 55 - 75" | 140 - 191 cm screen diagonal
- landscape or portrait format possible
- incl. VESA mount with min. VESA 100 x 100 mm up to max. 800 x 600 mm
- VESA mount optionally lockable (lock included)
- TV holding fixture tiltable between -5° and $+30^{\circ}$
- $\pm 15^{\circ}$ rotatable
- ceiling distance between min. 938 and max. 1638 mm
- ceiling distance variably adjustable in 100 mm steps
- internal cable routeing
- 50 kg max. load
- impact- and scratch-resistant powder coating
- colour: black

